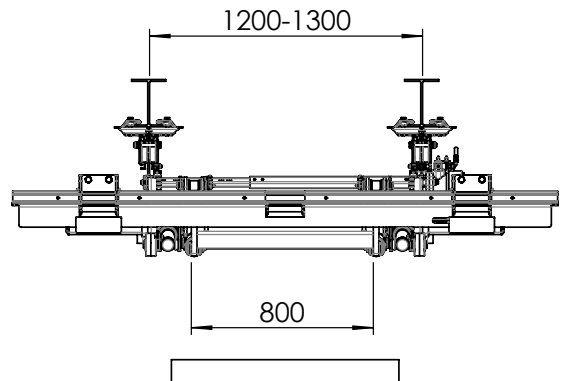
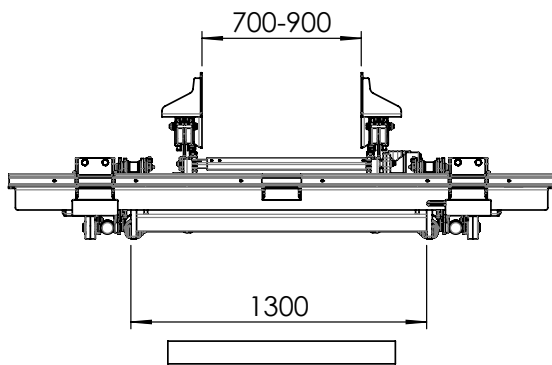
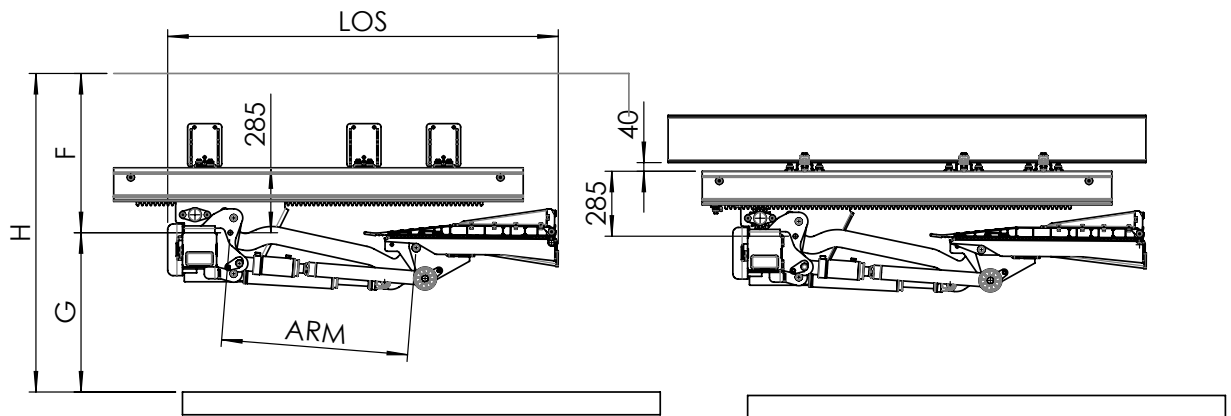


		<b>SLIDER MODELS 2000 SERIES</b>				<b>ATEK®</b> <i>The weights for the truck type slider are +5.5 kg.</i>
<b>MODEL</b>	115	135 00	145 00	155 00		
<b>HEIGHT (mm)</b>	1235	1320	1430	1510		
<b>WEIGHT (kg)</b>	263	267	270,5	275		
<b>Maximum Load Distance</b>	750 mm		<b>Voltage</b>		24V	
<b>Tilt Cylinders</b>	2 Pieces Adjustable		<b>Lift Cylinders</b>		2 Pieces Single Acting Cylinder	
<b>Platform Lengths (mm)</b>			1600	1700	1800	<b>Platform Widths max. 2400 mm</b>
<b>Platform Weight (kg)</b>	<b>Steel/Aluminium</b>		211	224	236	
	<b>Aluminium/Aluminium</b>		134	141	148	

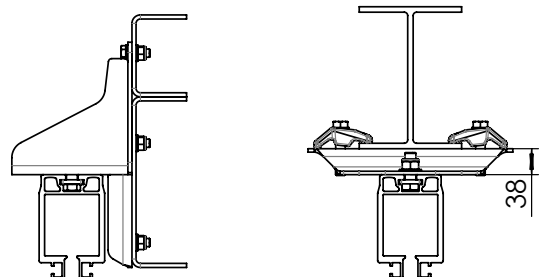
### TRUCK

### TRAILER



### TRUCK

### TRAILER



<b>Mounting Dimensions (mm)</b>				
<b>ARM</b>	750	820	880	950
<b>H max.</b>	1235	1320	1430	1510
<b>F max.</b>	635	685	730	780
<b>G max.</b>	600	635	700	730
<b>LOS (1600 platform)</b>	1650	1720	1780	1850
<b>LOS (1700,1800 platform)</b>	1750	1820	1880	1950