
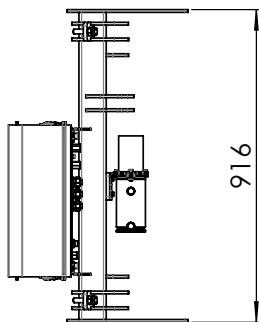
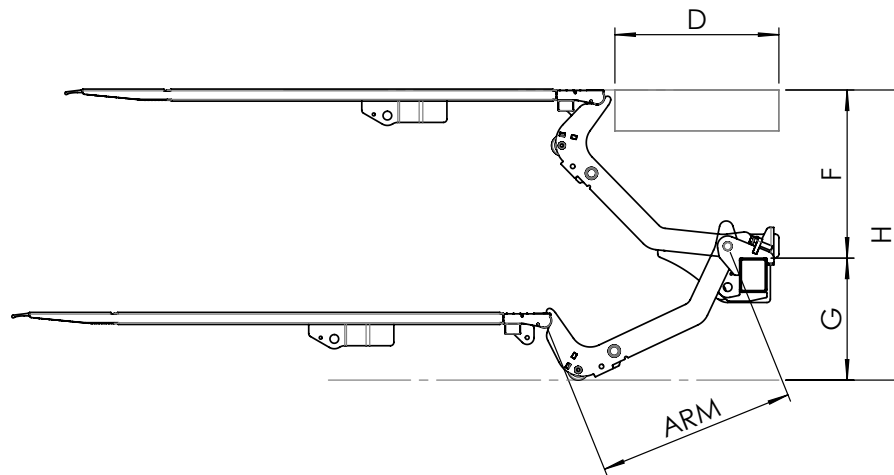
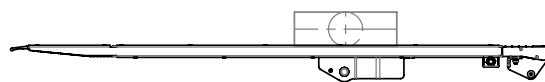
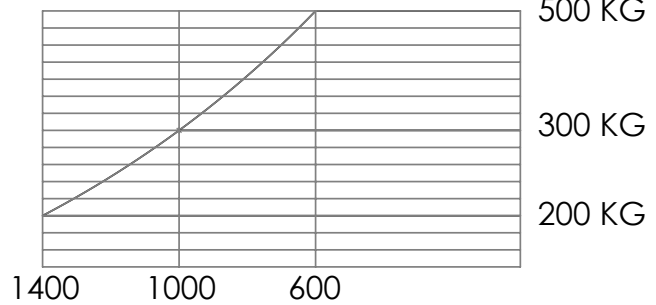


VANLIFT S SERIES			
MODEL	S3V 00 000		 <p><i>The weights for the truck type slider are +5.5 kg.</i></p>
HEIGHT (mm)	850		
WEIGHT (kg)			
Maximum Load Distance	600 mm	Voltage	24V
Tilt Cylinders	1 Pieces Adjustable	Lift Cylinders	2 Pieces Double Acting Cylinder
Aluminium Platform Lengths (mm)		1600	Platform Weight (kg)
Aluminium Platform Widths (mm)		1460	



Max. 500 KG



Mounting Dimensions (mm)

ARM	580
H	850
F max.	490
F min	150
G max.	360
D max.	670
D min.	490