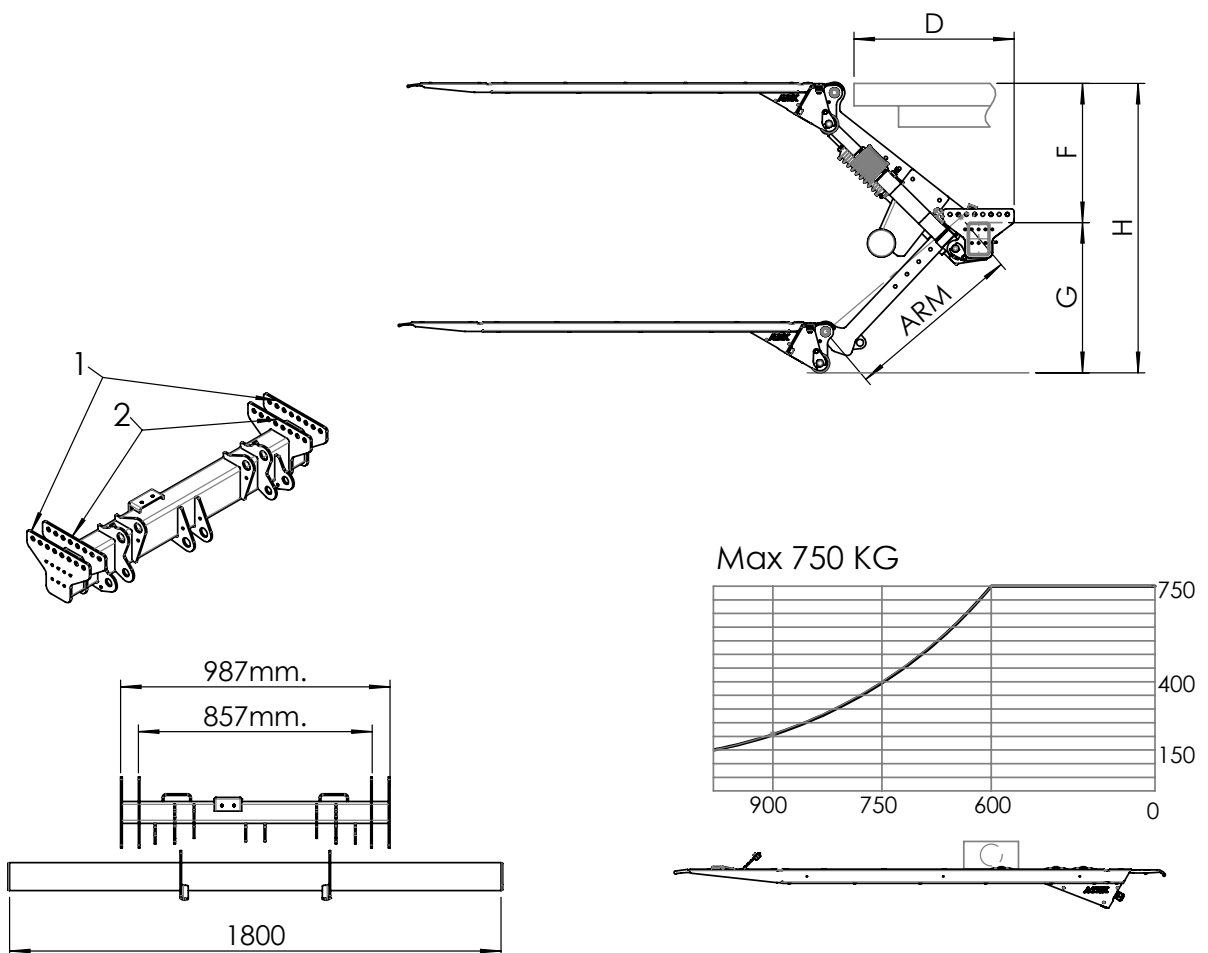


		<b>P3 750 SERIES</b>			<b>ATEK®</b>
<b>MODEL</b>	100 00				
<b>HEIGHT (mm)</b>	1060 mm.				
<b>WEIGHT (kg)</b>	210Kg.	Including MB.installation bracket, 1600x2200mm. platform, powerpack and etc.			
<b>Maximum Load Distance</b>	600 mm	<b>Voltage</b>		12V.	
<b>Tilt Cylinders</b>	2 Adjustable Single Acting or Double Acting Cylinders	<b>Lift Cylinders</b>		1 Piece Single Acting Cylinder	
<b>Auto Tilt</b>	Opt. Memory cylinder	<b>Inclination Angle Of the Platform</b>		+90° to -10°	
<b>Platform Lengths</b>	1200 - 1600 mm	<b>Platform Widths</b>		1600 - 2200 mm	



<b>Mounting Dimensions</b>	
<b>Lift arms</b>	<b>650</b>
<b>H</b>	1060
<b>F max.</b>	510
<b>F min.</b>	250
<b>G max.</b>	550
<b>D max.</b>	705
<b>D min.</b>	620

<b>Type Of Vehicle To Be Fitted</b>	
<b>1</b>	<b>2</b>
MB SPRINTER 300-VW(SW-WB-3665) RWD	FORD TRANSIT 330S-350M-350L
MB SPRINTER 300-VW(SW-WB-4325) RWD	FORD TRANSIT 350E-350ED-470ELD
MB SPRINTER 500-VW(DW-WB-3665) RWD	CRAFTER MAN TGE (SW-DW)
MB SPRINTER 500-VW(DW-WB-4325) RWD	
FIAT D.-PEUGEOT B.-CITROEN J.-OPEL M. (PSA GROUPS)	
RENAULT M.-OPEL M.-NISSAN V.	
IVECO DAILY	