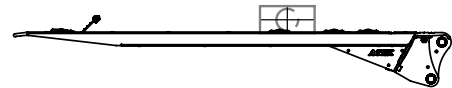
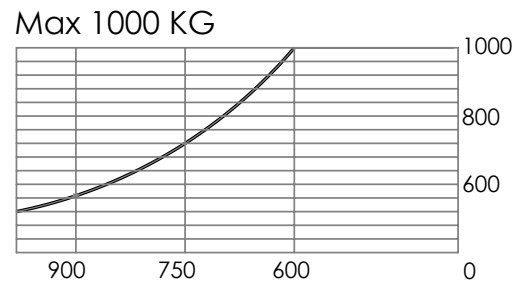
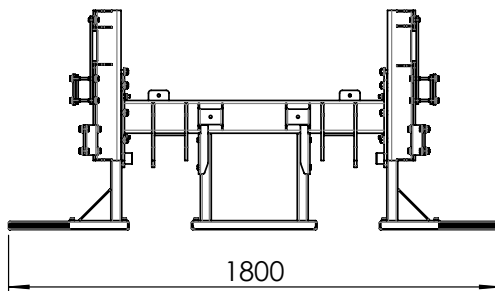
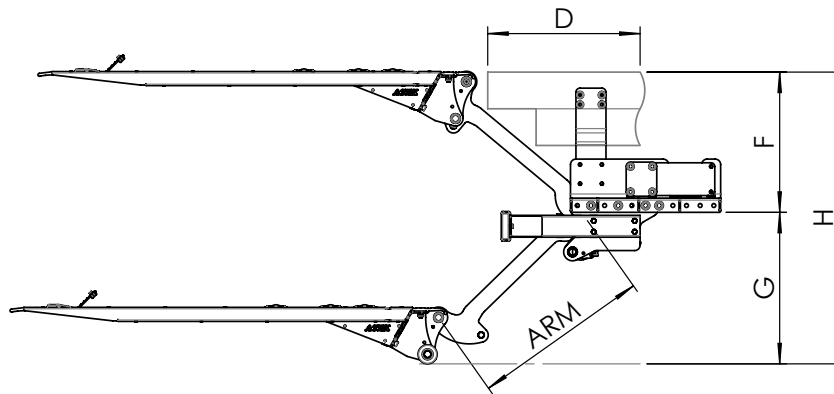


DMN MODEL 1000			
MODEL	NARROW		
HEIGHT (mm)	1060		
TYPE OF VEHICLE TO BE FITTED	<i>Citroen Jumper Fiat Ducato Peugeot Boxer</i>		
Maximum Load Distance	600 mm	Voltage	12V. or 24V.
Tilt Cylinders	2 Pieces Adjustable Single Acting Cylinder	Lift Cylinders	2 Pieces Single Acting Cylinder
Platform Lengths	1200 - 1800 mm	Platform Widths	1600 - 2570 mm
Inclination Angle Of the Platform		+90° to -10°	

ATEK®



Mounting Dimensions	
Lift arms	650
H	1060
F max.	510
F min.	250
G max.	550
D max.	810
D min.	635

